

HM-4X80A-115V 规格书(三相四线交流电源滤波器)

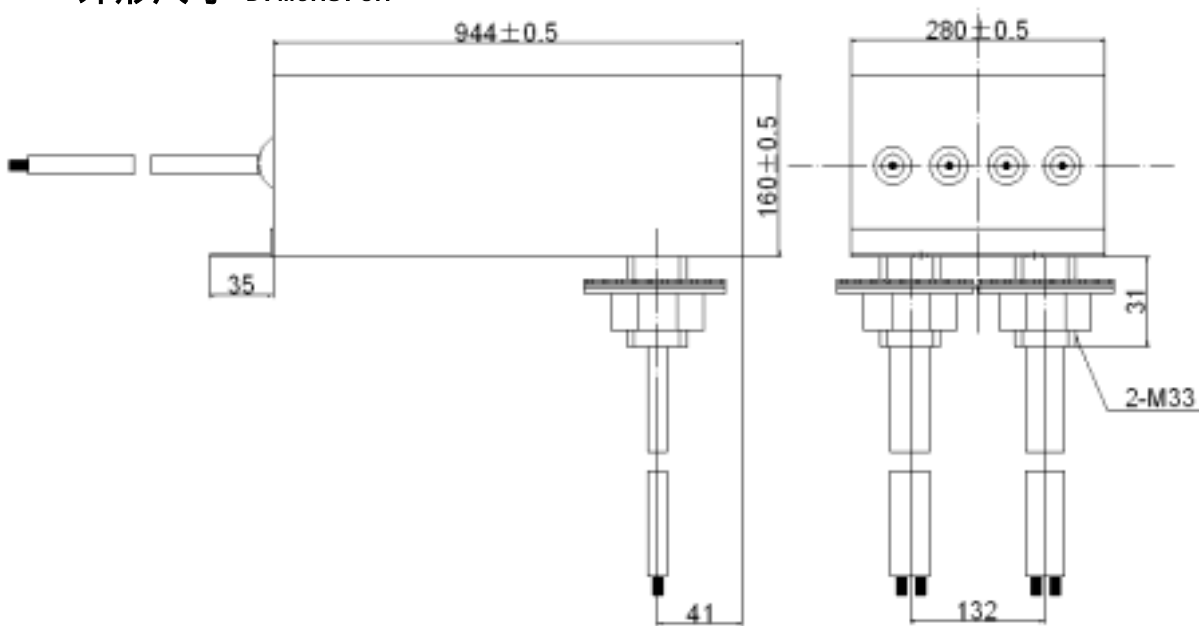
技术参数 Specification

额定电压 Rated voltage	115VAC
工作频率 Operating frequency	400Hz
额定电流 Rated current	80A
气候类别 Climatic category	25/085/21
漏电流 Leakage current	200mA@115V/400Hz
试验电压 Test voltage (2s/1Min)	
线 - 线 Line-to-line:	1000VDC
线 - 壳 Line-to-case:	1000VDC

典型插入损耗 Typical insertion loss

频率	14K-18GHz
插入损耗 (dB)	100dB
共模	

外形尺寸 Dimension



特点与应用 Features&Applications

工作频带宽，插入损耗高：Wide operating band, high insert loss

干扰抑制能力强：Strong ability for restraining interference

低压降，低漏电流：Low voltage drop, low leakage current

用于电磁屏蔽房、屏蔽柜、电子方舱、信息安全保密房、医院 CT、核磁共振房、可控硅变流设备、电源净化设备的电源端的滤波 Use for filter in electro-magnetic shielding room、shielding cabinet、electronic、square cabin、information security room、CT equipment of hospital、nuclear-magnetic、resonance room、SCR current converting equipment、power terminal of the equipments for power purification.