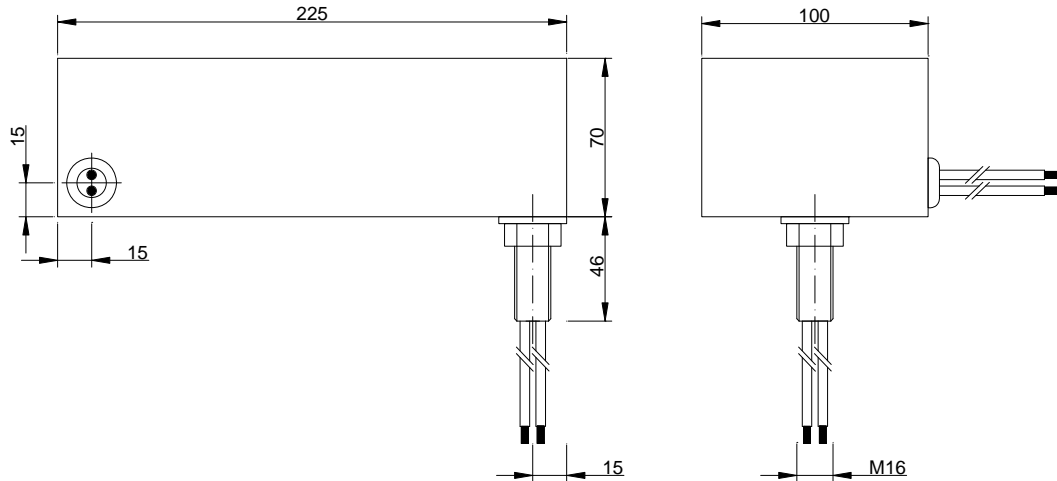


# HM-FireAlarm-4 Filter 规格书

China HuaMing E&E Co., Ltd [WWW.EMCFittings.Com](http://WWW.EMCFittings.Com)

1. Type: HM-FA-4

2. Outline Drawing and Dimensions: (mm)



3. Technical Data:

① Rated Voltage: 250VAC

② Rated current: 2A

③ Lines: 4

④ Insertion Loss:  $\geq 100\text{dB}$ , 100KHz~10GHz

⑤ Climatic Category: 25/070/21

4. Assembly Parts: ① M16 Conduit Screw: 1pc;

② Gasket 16: 1pc;

③ M16 Screw Nut: 1pc;

④ EMI Gasket: 1pc;

⑤ Certificate: 1pc。

5. Installation Sketch:

