

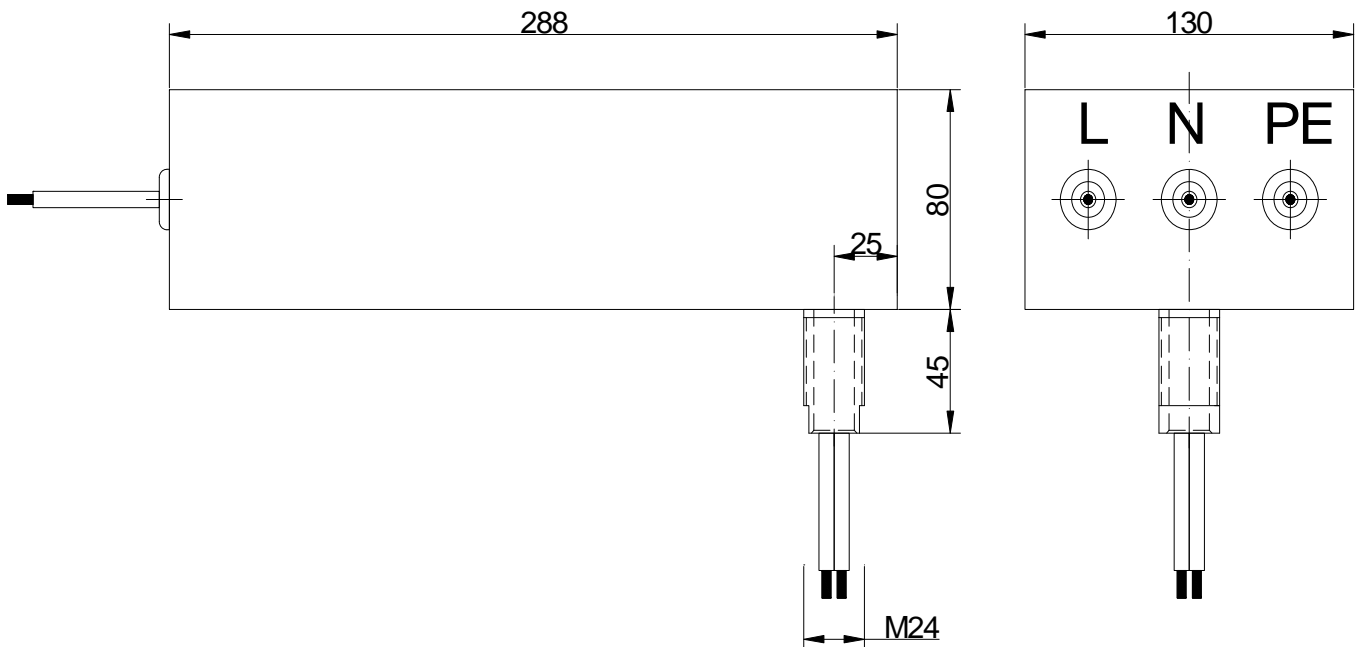
HM-PF-2X30A5-G1 规格书 (电源滤波器)

◆ 技术参数 Specification

Rate Voltage	250VAC
Rate Frequency	DC-60Hz
Rate Current	30A
Leakage Current	<0.2A
Climatic category	25/070/21

典型插入损耗 Typical insertion loss

频率	150K-18GHz
插入损耗 (dB)	≥100dB



**Special Requirement: Cross-Section 4 SQ.mm