

**HM-SF-DVI 规格书**

◆ 技术参数 Specification

额定电压 Rated voltage **50VAC**

额定电流 Rated current **0.5A**

气候类别 Climatic category **25/070/21**

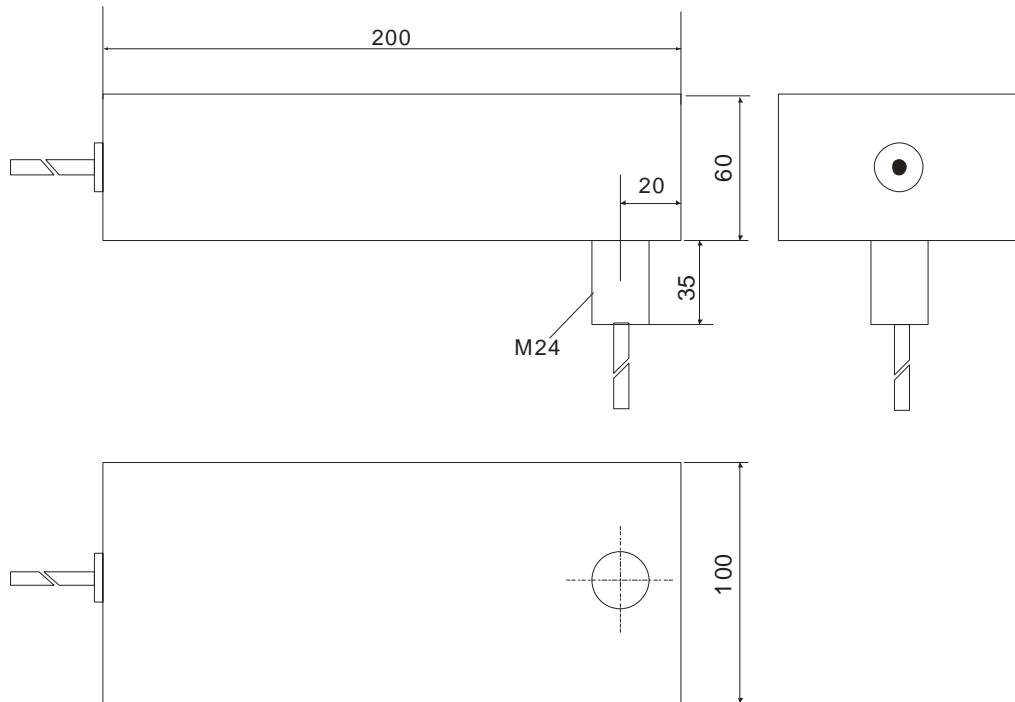
试验电压 Test voltage (2s/1Min)

线-地 Line-to-Ground: 100M $\Omega$  /100VDC

典型插入损耗 Typical insertion loss

Frequency Band	Attenuation
50MHz~3GHz	40dB

◆ 外形尺寸 Dimension



◆ 电性能 Electrical characteristics

用于电磁屏蔽房显示器 DVI 信号滤波

Use for DVI Video signal filter in RF shielding room, EMC chamber for signal line purification.