

## HM-SF-FireAlarm10 规格书

### ◆ 技术参数 Specification

额定电压 Rated voltage 100VDC

额定电流 Rated current 1A

气候类别 Climatic category 10/070/21

试验电压 Test voltage (2s/1Min)

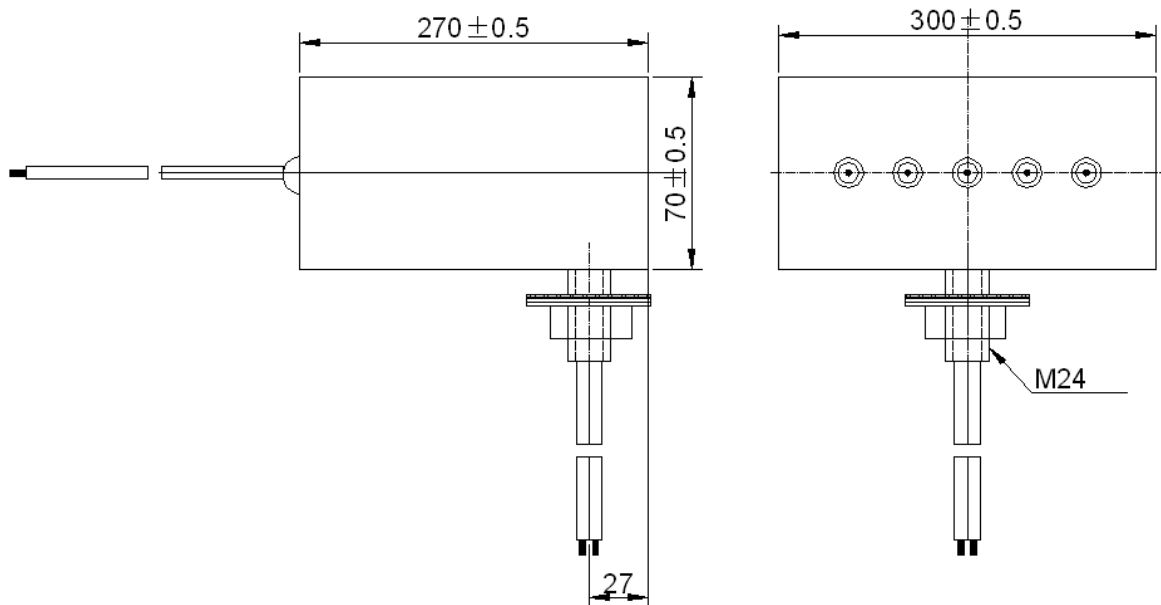
线-线 Line-to-line: 600VDC

线-壳 Line-to-case: 600VDC

### 典型插入损耗 Typical insertion loss

频 率	100KHz-10GHz
插入损耗	≥100dB

### ◆ 外形尺寸 Dimension



### ◆ 电性能 Electrical characteristics

用于电磁屏蔽房消防设备信号滤波

Use for fire alarm system in RF shielding room, EMC chamber for signal line purification.