

HM-SF-FireAlarm4 规格书

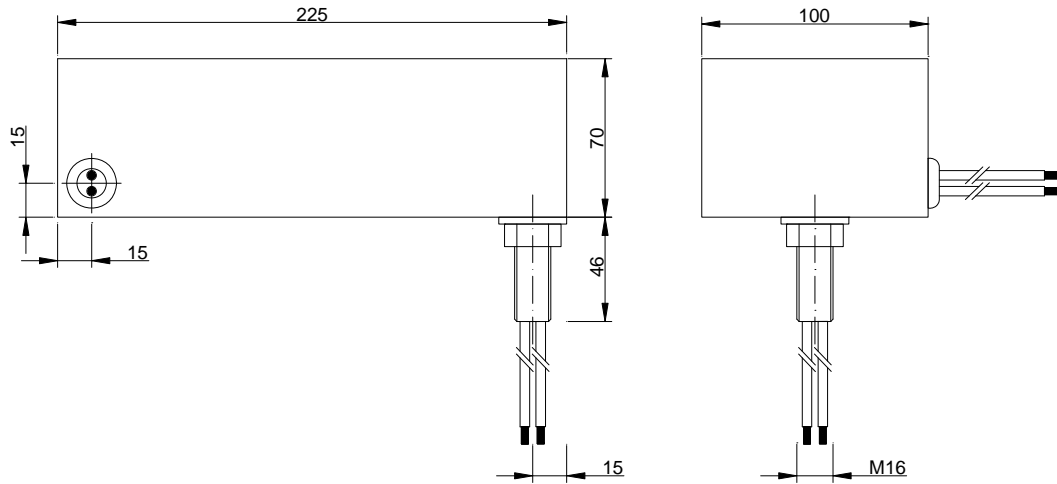
◆ 技术参数 Specification

额定电压 Rated voltage	250VAC
额定电流 Rated current	1A
线路 Line	4
气候类别 Climatic category	25/070/21
试验电压 Test voltage (2s/1Min)	
线—线 Line-to-line:	1000VDC
线—壳 Line-to-case:	1000VDC

典型插入损耗 Typical insertion loss

Frequency Band	Attenuation
150K~10G	100dB

◆ 外形尺寸 Dimension



◆ 电性能 Electrical characteristics

用于电磁屏蔽房消防设备信号滤波

Use for fire alarm system in RF shielding room, EMC chamber for signal line purification.