

HM-2 × 20A 规格书

技术参数 Specification

额定电压 Rated voltage 220/380VAC , 500VDC

工作频率 Operating frequency 50/60Hz

额定电流 Rated current 20A

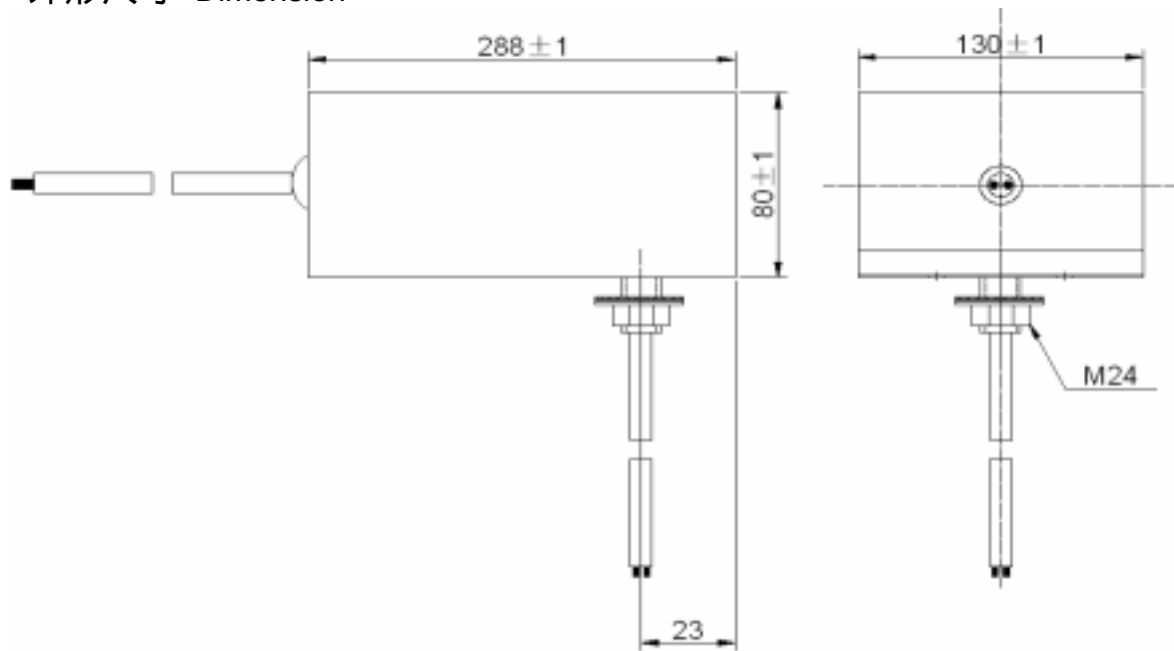
气候类别 Climatic category 25/085/21

试验电压 Test voltage (2s/1Min)

线 - 线 Line-to-line: 1000VDC

线 - 壳 Line-to-case: 1000VDC

外形尺寸 Dimension



电性能 Electrical characteristics

工作频带宽，插入损耗高：Wide operating band, high inserts loss

干扰抑制能力强：Strong ability for restrain interference

低压降，低漏电流：Low voltage drop, low leakage current

用于电磁屏蔽房、屏蔽柜、电子方舱、信息安全保密房、医院 CT、核磁共振房、可控硅变流设备、电源净化设备的电源端的滤波 Use for filter in electro-magnetic mask room、mask cabinet、electronic、square cabin、information security room 、CT equipment of hospital、nuclear-magnetic、resonance room、SCR current converting equipment、power terminal of the equipments for power purification

*为保证低的漏电流，请务必 L 接 L，N 接 N。棕色引线为 L，蓝色引线为 N。

***Brown Line is live line, Blue line is null line. Be sure connecting the line correctly. Don't overturn it.**

***Connect to the REGULAR earth line before operate the filter**

典型插入损耗图 Typical insertion loss

频率	150KHz
插入损耗 (dB)	≥100dB