

# HM-Video-2 Filter 规格书

China HuaMing E&E Co., Ltd

WWW.EMCFittings.Com

## ◆ 技术参数 Specification

额定电压 Rated voltage 250VDC

额定电流 Rated current 0.2A

气候类别 Climatic category 25/085/21

试验电压 Test voltage (2s/1Min)

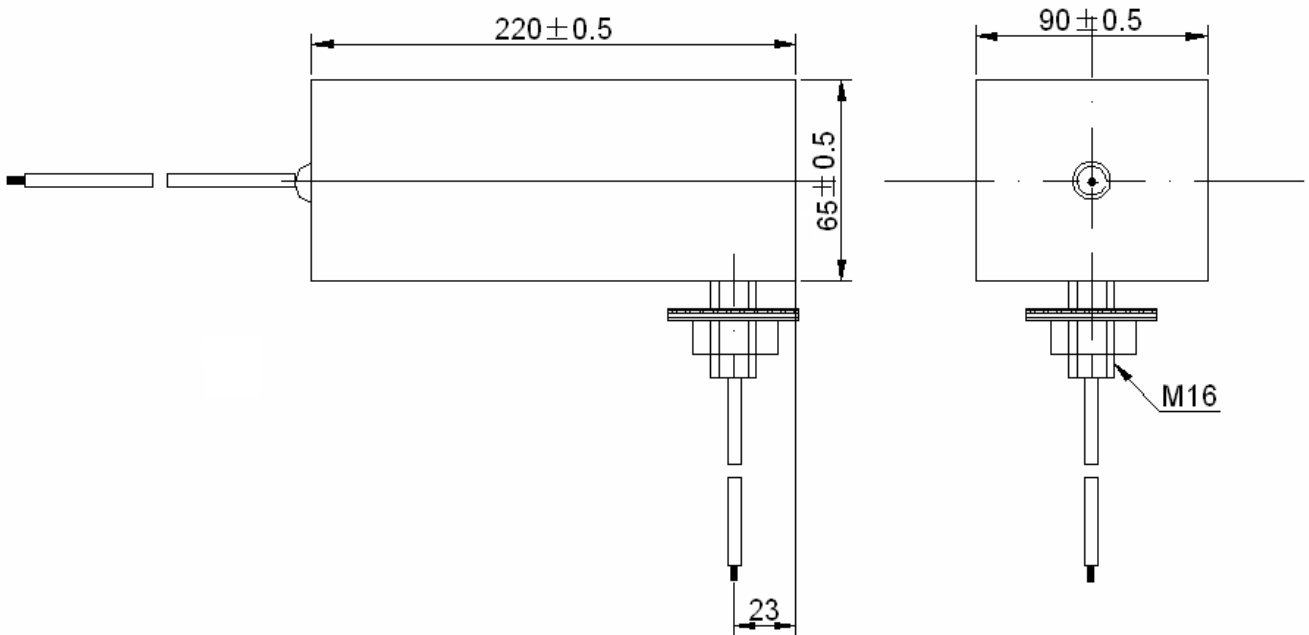
线—线 Line-to-line: 600VDC

线—壳 Line-to-case: 600VDC

典型插入损耗图 Typical insertion loss

频率	100KHz
插入损耗 (dB)	$\geq 100\text{dB}$

## ◆ 外形尺寸 Dimension



## ◆ 特点与应用 Features&Applications

用于电磁屏蔽房、屏蔽柜、电子方舱、信息安全保密房、医院 CT、核磁共振房的信号控制端的滤波 Use for filter in electro-magnetic mask room、mask cabinet、electronic、square cabin、information security room、CT equipment of hospital、nuclear-magnetic、Semaphore Insert for signal and control purification.